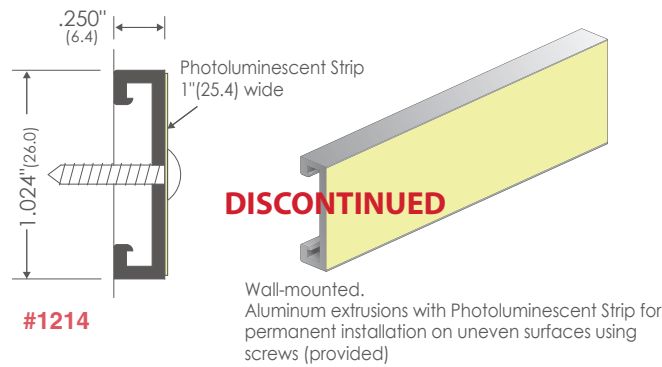
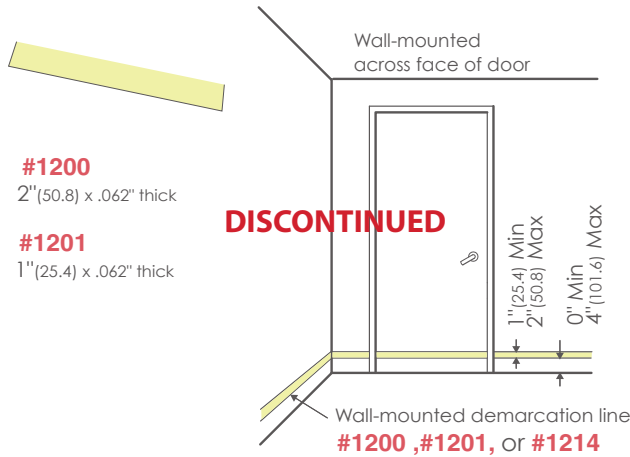
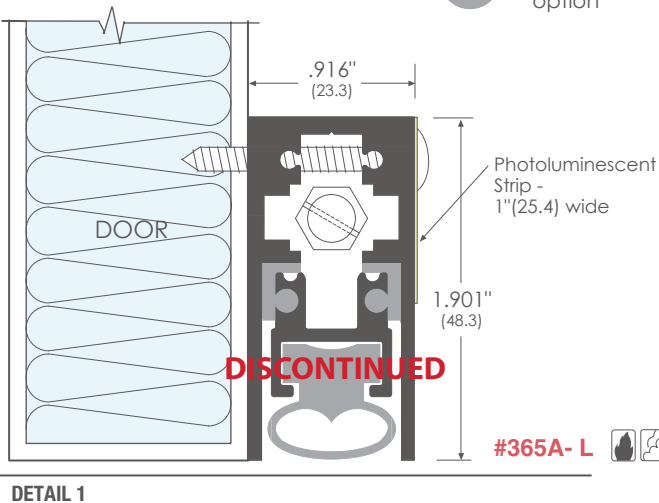
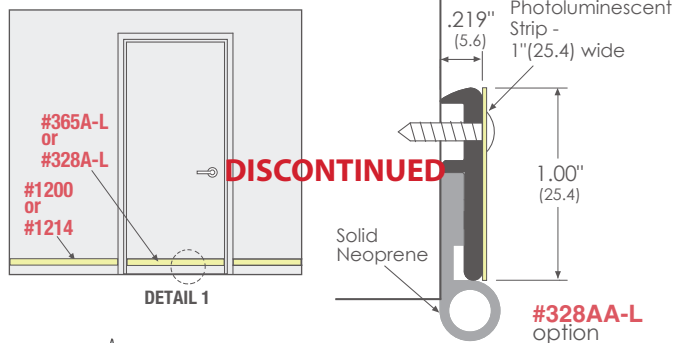


## FLOOR DEMARCATION LINES

Suitable for both wall and floor-mounted applications.



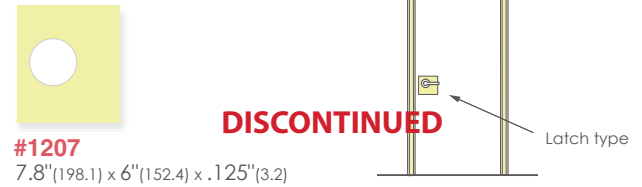
## Photoluminescent Sill Protection



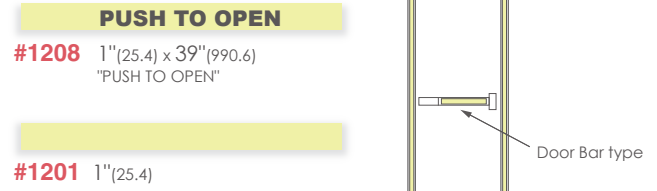
## DOOR HARDWARE MARKING

Illuminates door opening mechanisms for better visibility, required for all intermediate and final exit doors. Located behind, immediately adjacent to, or on the door handle and/or escutcheon.

### Latch Type

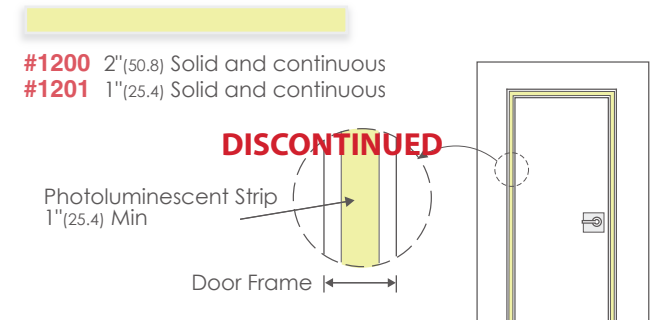


### Door Bar Types



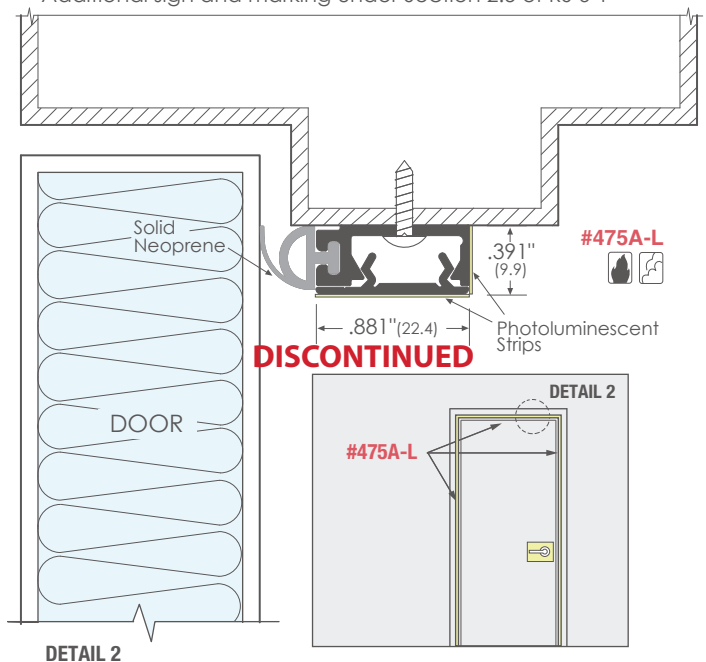
## EXIT DOOR FRAME KIT

Required for intermediate and final exit doorways.



## Photoluminescent Head & Jamb Seal

Additional sign and marking under Section 2.5 of RS 6-1



Photoluminescent