



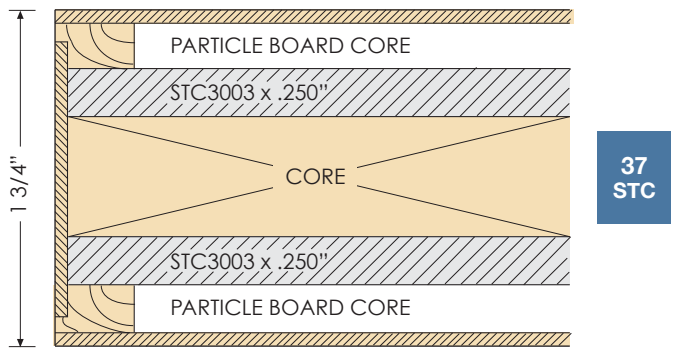
ZERO has designed and tested its systems against air, light, smoke, fire and sound to demonstrate the effectiveness of these products and materials. By specifying a complete "Control System," you are assured that the components installed for head, jamb and sill will perform properly together. All tests were performed in accordance with nationally accepted standards by independent laboratories.

Sound - Single Doors						
SYSTEM NO.	DOOR RATING	TYPE OF DOOR	HEAD & JAMB	DOOR BOTTOM	THRESHOLD	STC
STC1	55	METAL	3708 + 119WB	367	564B	53
STC2	55	METAL	770 + 119WB	367	564B	52
STC3	55	METAL	770 + 119WB	367	564B	51
STC4	55	METAL	170 + 119WB	367	564B	51
STC5	55	METAL	485 + 119WB	361	565B	49
1T	52	METAL	770	367	564A	47
9R	46	METAL	375	367	164	45
2T	52	METAL	870	361	565	44
2U	52	METAL	485	361	565	44
1R	51	METAL	770	361	565	44
2J	51	METAL	770	362 / 352	None	44
4R	51	METAL	370	361	565	43
5S	52	METAL	328	361	565	42
5T	52	METAL	312	351	565	42
11R	46	METAL	375	361 + 119WB	164	42
GP397	42	WOOD	475 + 119WB	369	None	41
7R	51	METAL	328	351	663	40
GP394	40	METAL	8145S + 119WB	369	None	40
10R	46	METAL	375	361	164	39
KD421	39	METAL	118FS	369	None	38
7J	51	METAL	475	362	None	37
12R	38	WOOD	188S	None	564A	37
SU299	38	WOOD	188S	None	564A	37
13R	38	WOOD	188S	254 + 839	544A	36
14R	38	WOOD	475	364 / 365	544A	36
15R	36	WOOD	188S + 119WB	None	564A	35
TR298	35	WOOD	188S	253	1685R	35
LG302	36	WOOD	188S	369	None	35
	52	None	None	None	None	21

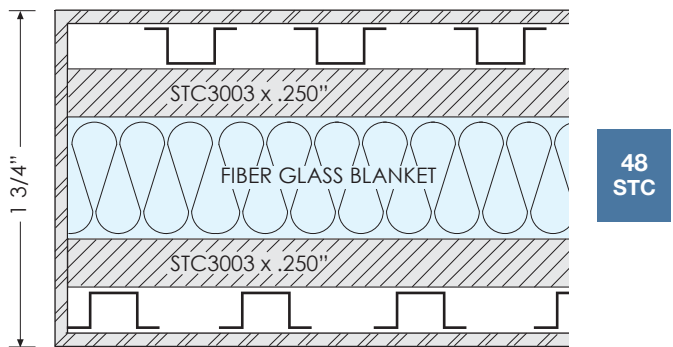
Sound - Double Doors				
SYSTEM NO.	HEAD & JAMB	DOOR BOTTOM	MEETING STILES	STC
RM1	770	367/364	383/139/118B	47
JD6S	770	362	40	41
JD7S	475	362	40/40	41
JD8S	475	362	156/56	36
AT4	188/119WB	564	383	36+ *
AT5	485/119WB	564	383	35+ *
AT7	485/119WB	839/544	383	35+ *

* TESTED WITH 37 STC DOOR (119WB FOR HINGE SIDE ONLY)

Acoustical Ratings Achieved with STC 3003 Sound Sheet



WOOD DOOR

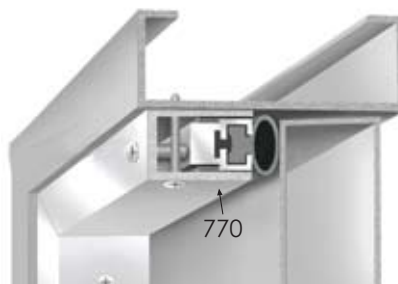
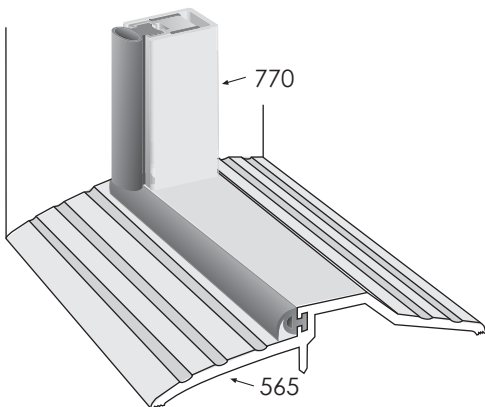


METAL DOOR

Higher ratings can be achieved with different construction method.

Applications

- All types of openings with a sound-reduction requirement, including:
- high-performance sound blocking, such as recording and broadcast studios, theaters and concert halls, commercial and industrial factories.
 - privacy and security needs, such as doctors' offices, corporate offices, school counseling offices, embassies and military.



System 1R

